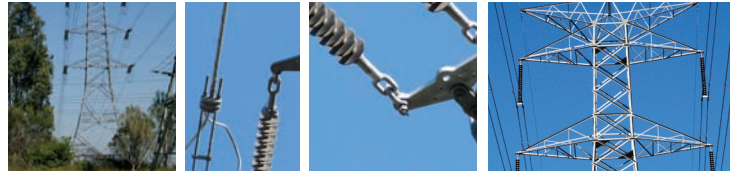


HARDWARE FITTINGS

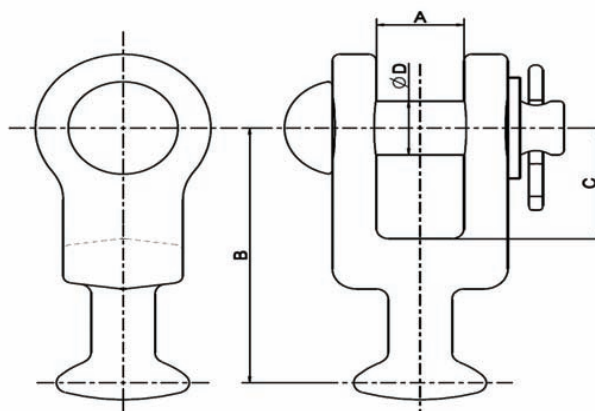
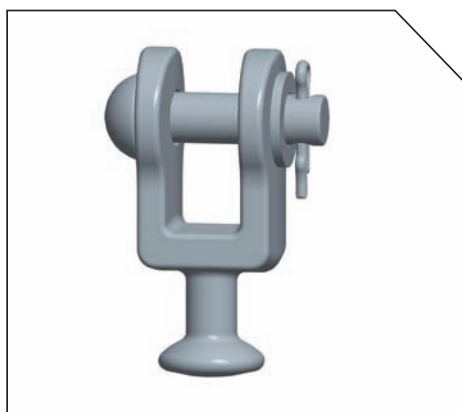


BALL CLEVIS

AMERICAN STANDARD (ANSI)

Part Number	Drawing Number	Ball Type	Min. Breaking Strength (kN)	A (mm)	B (mm)	C (mm)	D Bolt Size (mm)
421112-000	A4DD3788T	52-3 TYPE B	120	22	76	33	Ø16
270592-000	A4DD10261T*	52-3 TYPE B	120	22	76	33	Ø16
123490-000	A4DD07529T	52-5 TYPE J	140	25	82	35	Ø19
446116-000	A4DD4651T	52-8 TYPE K	160	24	87	37	Ø22

* Assembly with Bolt Type

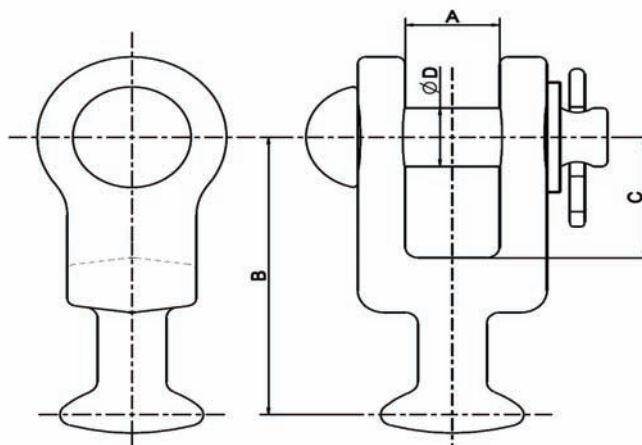
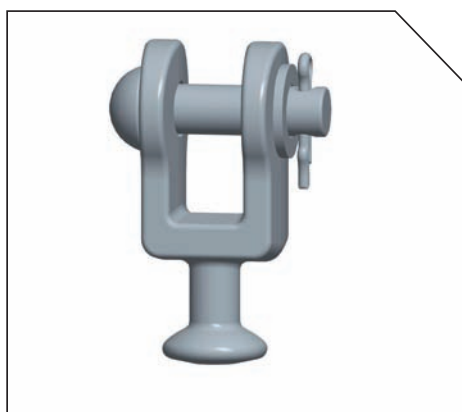


Material: Galvanized Forged Steel

BRITISH & INTERNATIONAL STANDARD (BS & IEC)

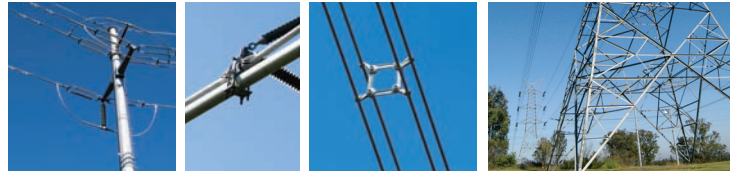
Part Number	Drawing Number	Ball Type	Min. Breaking Strength (kN)	A (mm)	B (mm)	C (mm)	D Bolt Size (mm)
004658-000	A4DD06406T	16mm	120	22	76	33	Ø16
291694-000	A4DD3923T*	16mm	120	22	76	33	Ø16
331446-000	A4DD06407T	20mm	160	25	89	38	Ø19
F43555-000	A4DD15119T*	20mm	160	25	89	38	Ø20

* Assembly with Bolt Type



Material: Galvanized Forged Steel

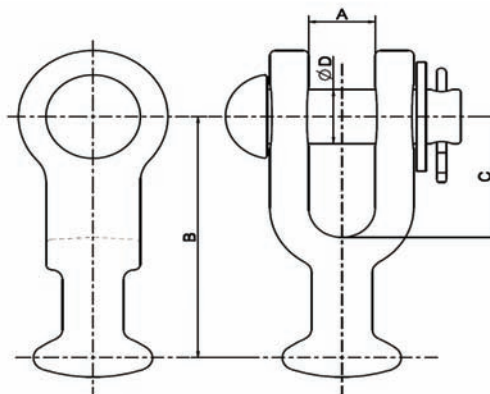
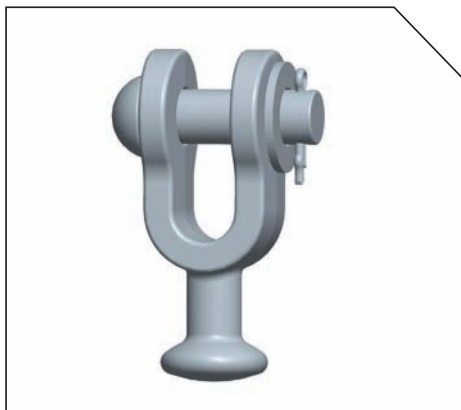
HARDWARE FITTINGS



BALL CLEVIS (CONT.)

AMERICAN STANDARD (ANSI)

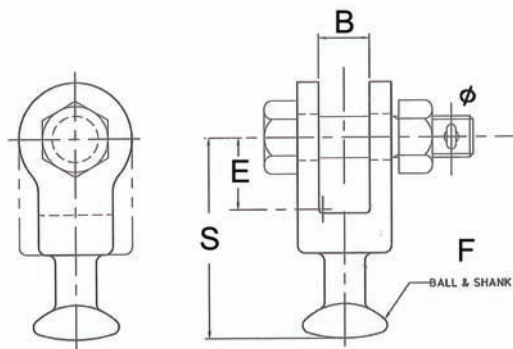
Part Number	Drawing Number	Ball Type	Min. Breaking Strength (kN)	A (mm)	B (mm)	C (mm)	D Bolt Size (mm)
434644-000	A4DD08248T	52-3 TYPE B	120	21	97	61	Ø16
D01526-000	A4DD08249T	52-8 TYPE K	222	24	98	49	Ø22



Material: Galvanized Forged Steel

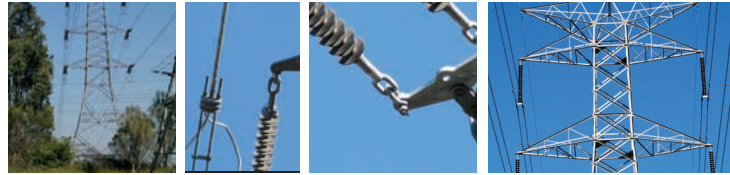
AUSTRALIAN STANDARD (AS)

Part Number	Drawing Number	Ref Code	Min. Breaking Strength (kN)	B (mm)	E (mm)	S (mm)	F (mm)	D Bolt Size (mm)
354842-000	BC70A	PLP-BC70A	70	18.5-21.5	26.5-29.5	74.1-81.9	16	Ø16
467452-000	BC70Q	PLP-BC70Q	70	18.5-21.5	26.5-29.5	74.1-81.9	16	Ø16
652146-000	BC120A	PLP-BC120A	120	18.5-21.5	26.5-59.5	74.1-81.9	16	Ø16
499288-000	BC160A	PLP-BC160A	160	22.5-25.5	33.2-36.8	90.2-99.8	20	Ø20



Material: Galvanized Forged Steel

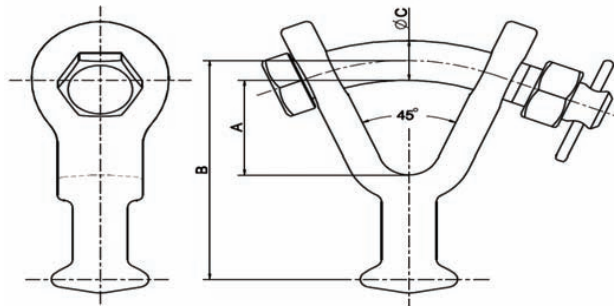
HARDWARE FITTINGS



BALL Y CLEVIS

AMERICAN STANDARD (ANSI)

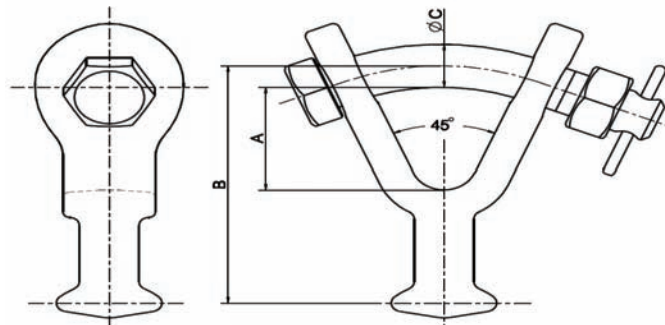
Part Number	Drawing Number	Ball Type	Min. Breaking Strength (kN)	A (mm)	B (mm)	C Bolt Size (mm)
D21575-000	A4DD14247T	52-3 TYPE B	120	38	88	Ø16
636006-000	A4DD08250T	52-5 TYPE J	140	38	90	Ø20



Material: Galvanized Forged Steel

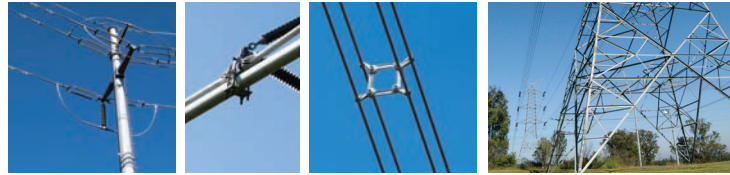
AMERICAN STANDARD (ANSI)

Part Number	Drawing Number	Ball Type	Min. Breaking Strength (kN)	A (mm)	B (mm)	C Bolt Size (mm)
319670-000	A4DD07033T	52-8, 52-11 (TYPE K)	222	50	111	Ø22



Material: Galvanized Forged Steel

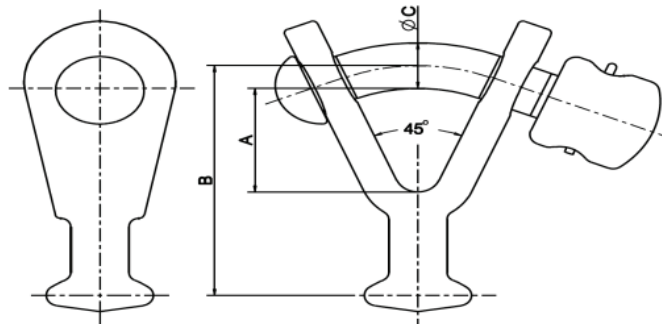
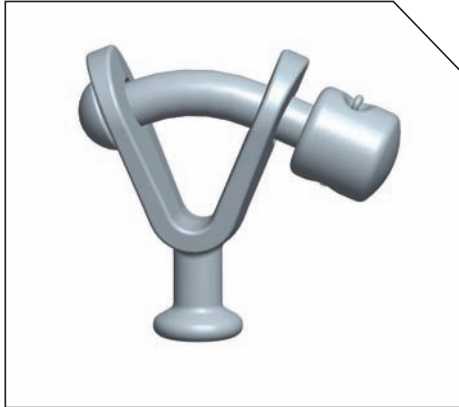
HARDWARE FITTINGS



BALL Y CLEVIS (CONT.)

AMERICAN STANDARD (ANSI)

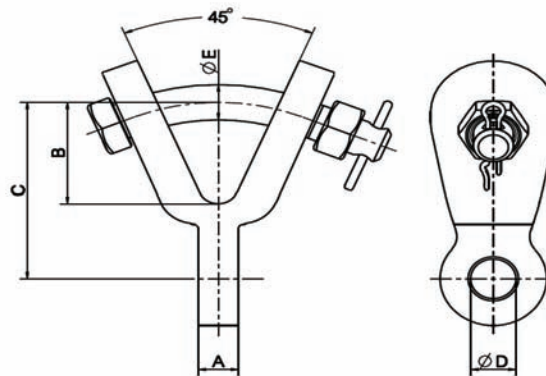
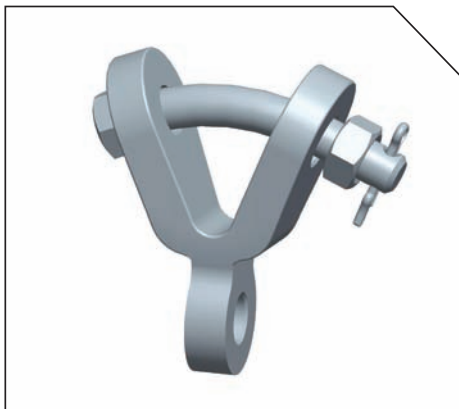
Part Number	Drawing Number	Ball Type	Min. Breaking Strength (kN)	A (mm)	B (mm)	C Bolt Size (mm)
A74026-000	A4DD14644T	52-8, 52-11 (TYPE K)	222	50	111	Ø22



Material: Galvanized Forged Steel

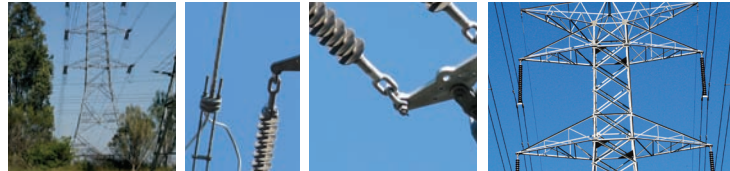
Y CLEVIS EYE

Part Number	Drawing Number	Min. Breaking Strength (kN)	A (mm)	B (mm)	C (mm)	D (mm)	E Bolt Size (mm)
A25223-000	A4DD12912T	90	16	46	80	Ø18	Ø16



Material: Galvanized Ductile Iron

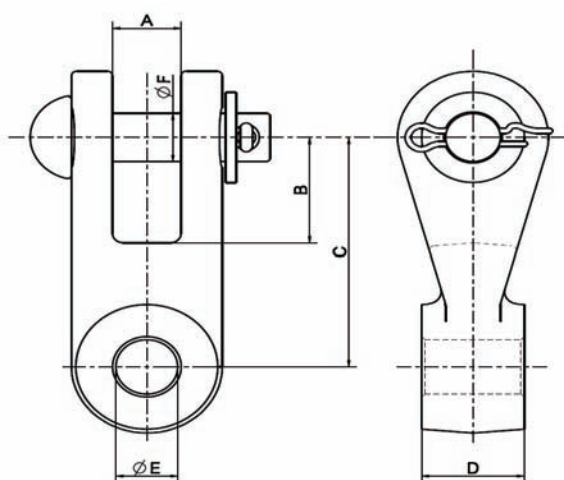
HARDWARE FITTINGS



TWISTED CLEVIS EYE

Part Number	Drawing Number	Min. Breaking Strength (kN)	A (mm)	B (mm)	C (mm)	D (mm)	E (mm)	F Bolt Size (mm)
F31871-000	A4DD11540T	80	20	35	76	22	Ø18	Ø16
C45116-000	A4DD10866T	120	20	35	76	26	Ø18	Ø16
D84947-000	A4DD11530T	120	20	35	76	30	Ø18	Ø16
128044-000	A4DD10516T(B)	120	20	35	76	30	Ø18	Ø16
819576-000	A4DD09799T*	120	22	35	76	30	Ø18	Ø16
127384-000	A4DD16391T*	120	22.5	35	76	35	Ø18	Ø16
F44429-000	A4DD09803T*	120	22.5	35	76	44	Ø18	Ø16

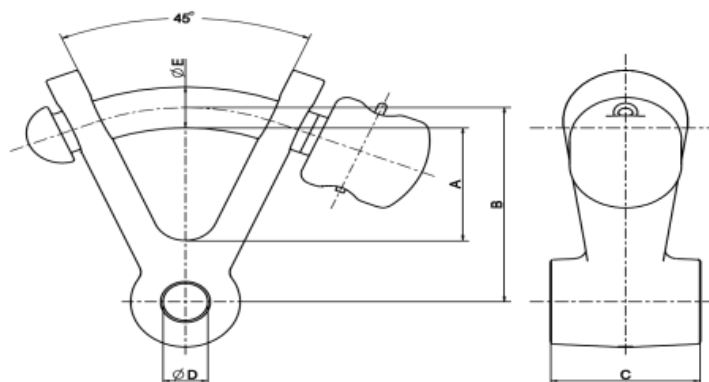
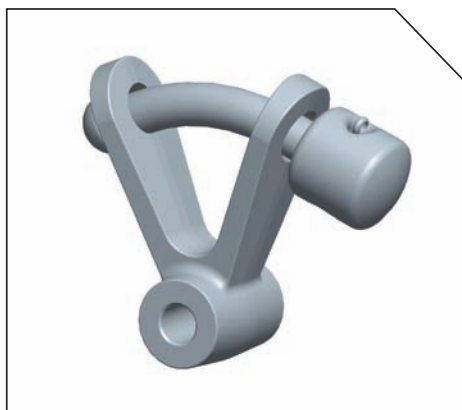
(B) Assembly with Bolt Type



Material: Galvanized Ductile Iron
* Galvanized Forged Steel

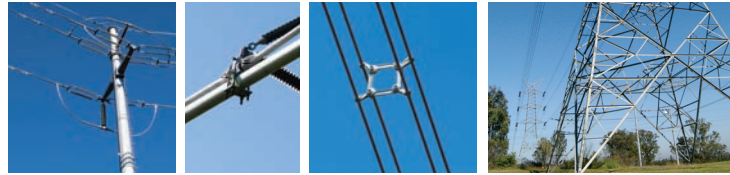
TWISTED Y CLEVIS EYE

Part Number	Drawing Number	Min. Breaking Strength (kN)	A (mm)	B (mm)	C (mm)	D (mm)	E Bolt Size (mm)
A25395-000	A4DD07993T	120	55	95	60	Ø18	Ø20



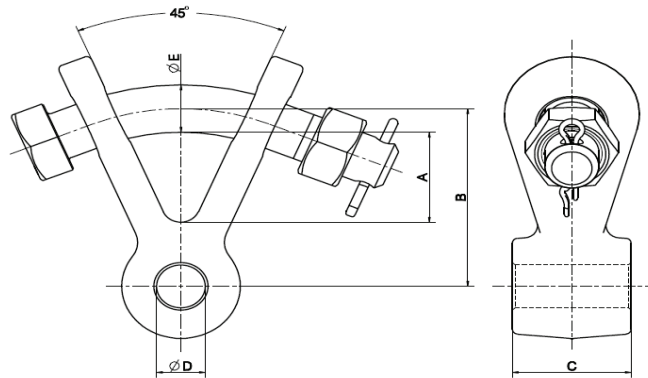
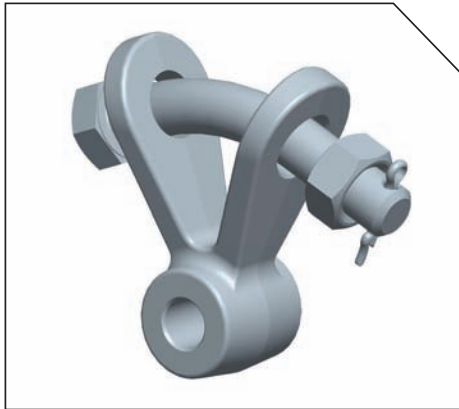
Material: Galvanized Forged Steel

HARDWARE FITTINGS



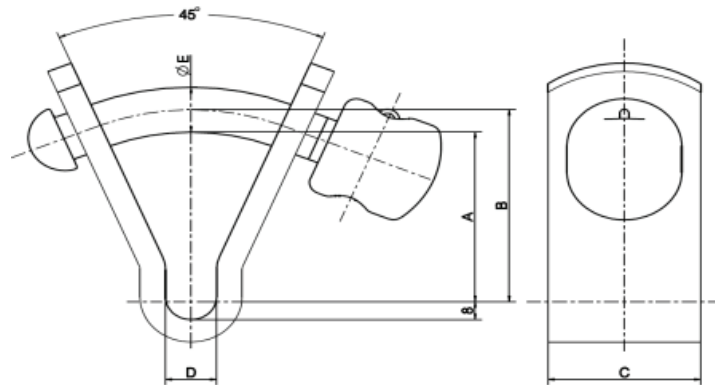
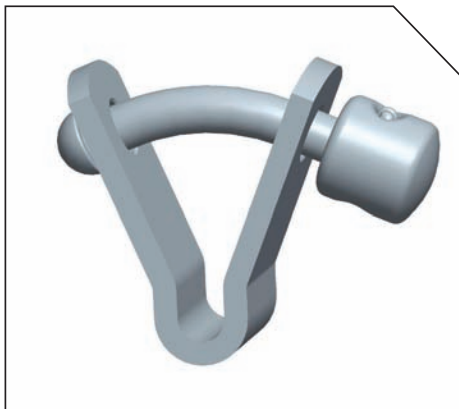
TWISTED Y CLEVIS EYE (CONT.)

Part Number	Drawing Number	Min. Breaking Strength (kN)	A (mm)	B (mm)	C (mm)	D (mm)	E Bolt Size (mm)
340606-000	A3DD1805T	120	38	75	44	Ø18	Ø20
859942-000	A3DD1806T	120	40	75	30	Ø18	Ø16



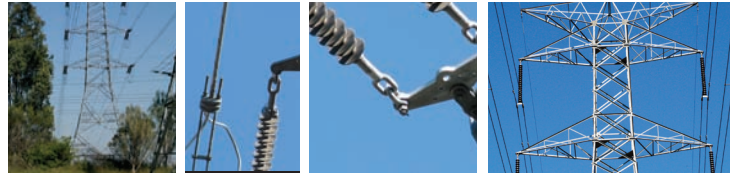
Material: Galvanized Forged Steel

Part Number	Drawing Number	Min. Breaking Strength (kN)	A (mm)	B (mm)	C (mm)	D (mm)	E Bolt Size (mm)
F24238-000	A4DD12117T	120	85	95	60	Ø20	Ø20



Material: Galvanized Steel

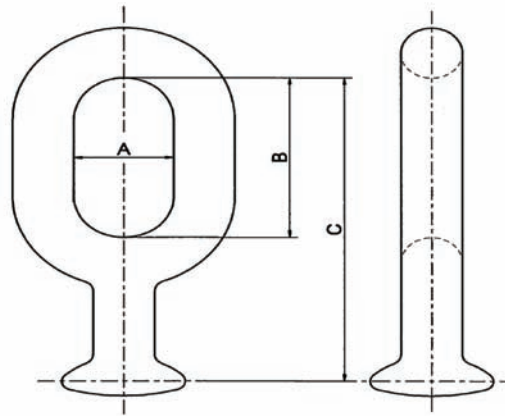
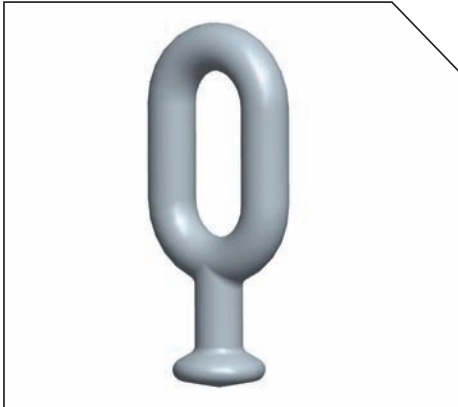
HARDWARE FITTINGS



BALL EYE LINK

AMERICAN STANDARD (ANSI)

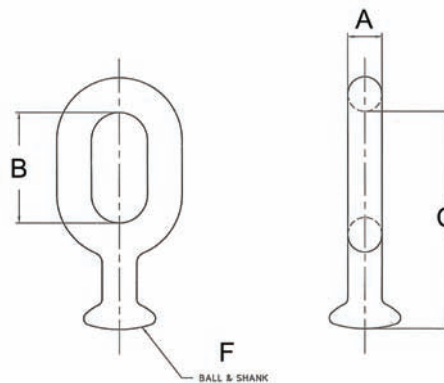
Part Number	Drawing Number	Ball Type	Min. Breaking Strength (kN)	A (mm)	B (mm)	C (mm)
396354-000	A4DD1114T	Ball 52-3 (Type B)	120	26	51	97
674114-000	A4DD07527T	Ball 52-5 (Type J)	140	25	51	97
171256-000	A4DD1433T	Ball 52-8 (Type K)	160	32	76	137



Material: Galvanized Forged Steel

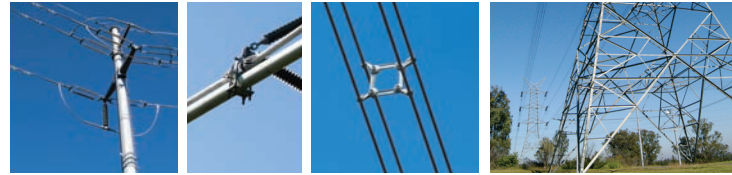
AUSTRALIAN STANDARD (AS)

Part Number	Drawing Number	Ref Code	Min. Breaking Strength (kN)	A (mm)	B (mm)	C (mm)	F Ball (mm)
892964-000	BEL70	PLP-BEL70	70	14.5-17.5	47.5-52.5	95-105	16
151896-000	BEL120	PLP-BEL120	120	14.5-17.5	47.5-52.5	95-105	16
512658-000	BEL160	PLP-BEL160	160	18.5-21.5	60.8-67.2	123-133	20



Material: Galvanized Forged Steel

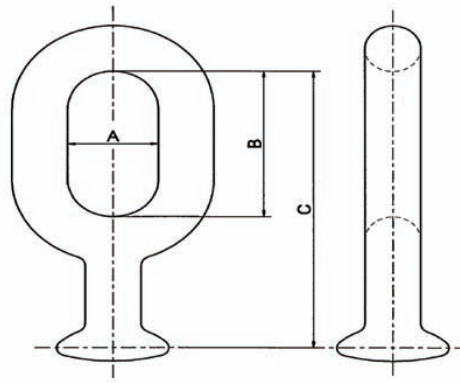
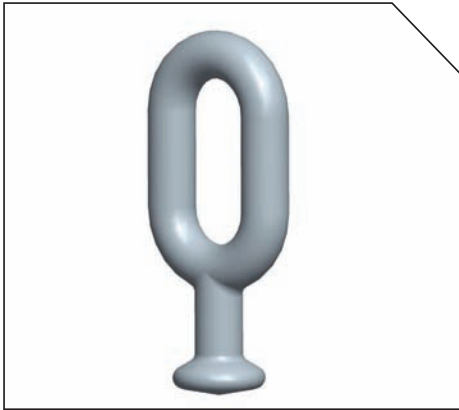
HARDWARE FITTINGS



BALL EYE LINK (CONT.)

BRITISH & INTERNATIONAL STANDARD (BS & IEC)

Part Number	Drawing Number	Ball Type	Min. Breaking Strength (kN)	A (mm)	B (mm)	C (mm)
726928-000	A4DD07339T	16mm	120	26	51	97
956166-000	A4DD14011T	20mm	160	28	76	128

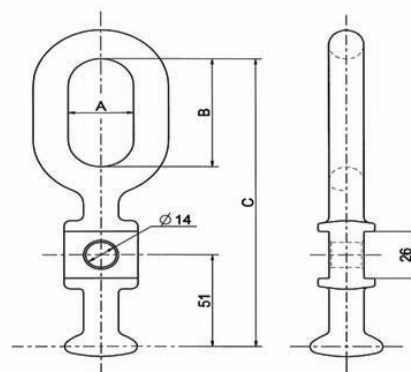
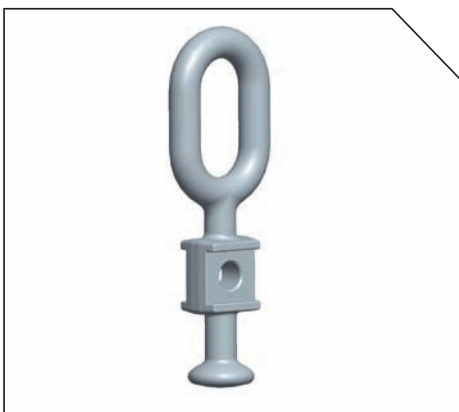


Material: Galvanized Forged Steel

BALL EYE LINK FOR ARCING HORN

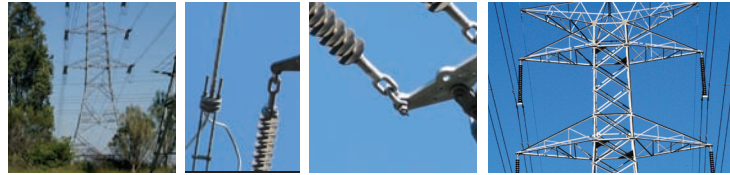
AMERICAN STANDARD (ANSI)

Part Number	Drawing Number	Ball Type	Min. Breaking Strength (kN)	A (mm)	B (mm)	C (mm)
D11663-000	A4DD3148T	Ball 52-3 (Type B)	120	30	60	160



Material: Galvanized Forged Steel

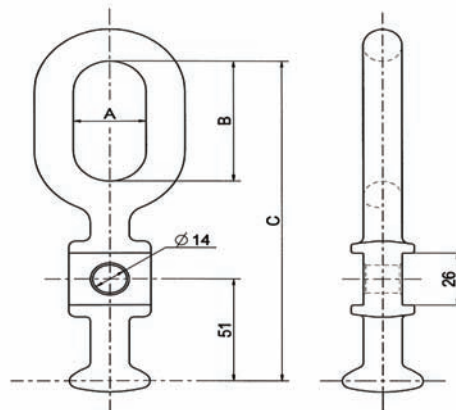
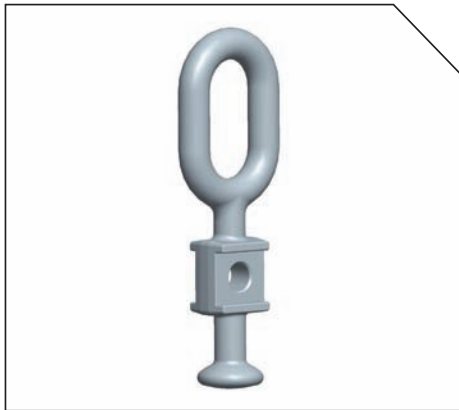
HARDWARE FITTINGS



BALL EYE LINK FOR ARCING HORN (CONT.)

BRITISH & INTERNATIONAL STANDARD (BS & IEC)

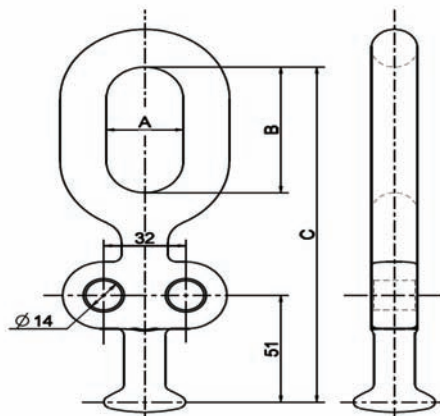
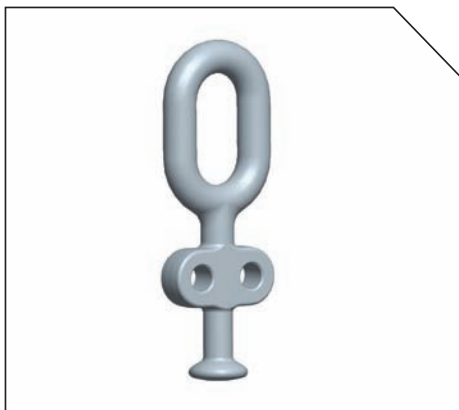
Part Number	Drawing Number	Ball Type	Min. Breaking Strength (kN)	A (mm)	B (mm)	C (mm)
824854-000	A4DD1096T	16mm	120	30	60	160



Material: Galvanized Forged Steel

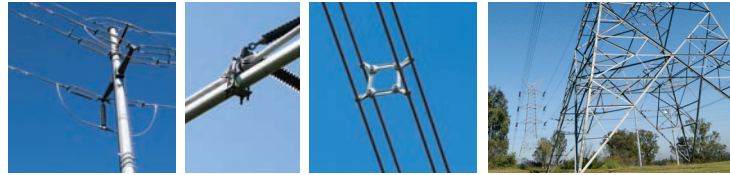
AMERICAN STANDARD (ANSI)

Part Number	Drawing Number	Ball Type	Min. Breaking Strength (kN)	A (mm)	B (mm)	C (mm)
308090-000	A4DD18071T	Ball 52-3 (Type B)	120	30	60	160
331412-000	A4DD4723T	Ball 52-5 (Type J)	140	30	60	160
626416-000	A4DD4734T	Ball 52-8 (Type K)	222	32	76	200



Material: Galvanized Forged Steel

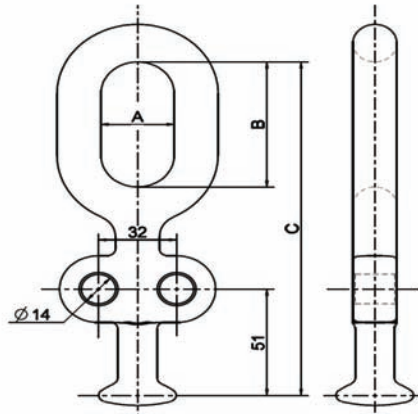
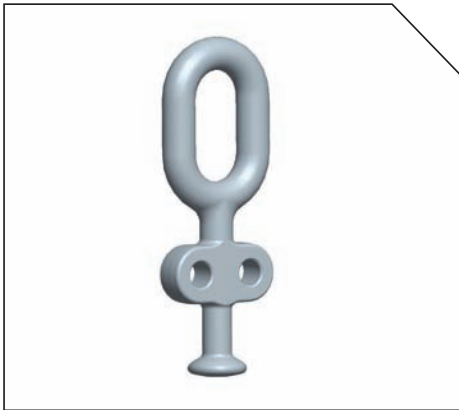
HARDWARE FITTINGS



BALL EYE LINK FOR ARCING HORN (CONT.)

BRITISH & INTERNATIONAL STANDARD (BS & IEC)

Part Number	Drawing Number	Ball Type	Min. Breaking Strength (kN)	A (mm)	B (mm)	C (mm)
A25254-000	A4DD09174T	16mm	120	30	60	160

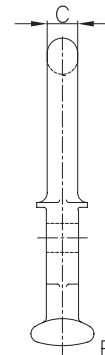
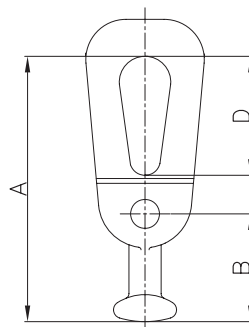


Material: Galvanized Forged Steel

BALL ENDED EYE LINK FOR ARCING HORN

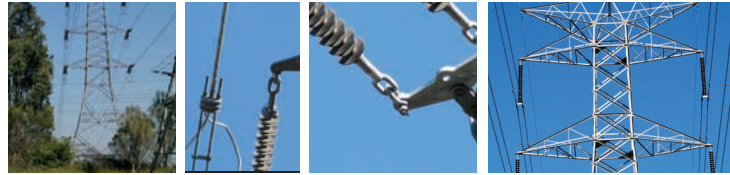
BRITISH STANDARD (BS)

Part Number	Drawing Number	Ref Code	Min. Breaking Strength (kN)	A (mm)	B (mm)	C (mm)	D (mm)	F Ball (mm)
C35506-000	DK94021	15/30	70	146	57	16	45	16
252446-000	DK94121	28/30	125	165	67	19	74	20
937022-000	DK94221	42/30	190	168	75	20.5	65	24



Material: Galvanized Forged Steel

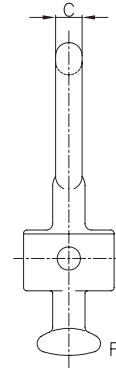
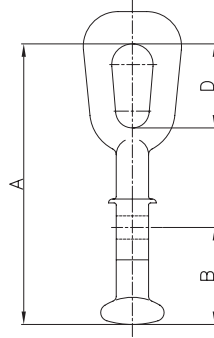
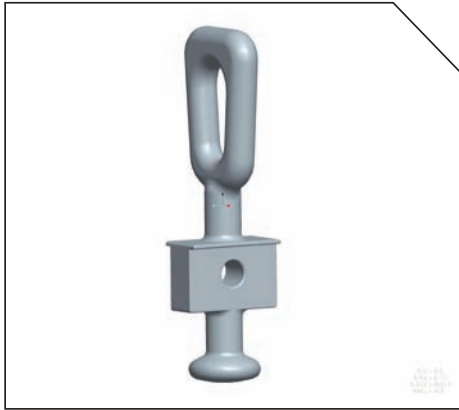
HARDWARE FITTINGS



TWISTED BALL ENDED EYE LINK

BRITISH STANDARD (BS)

Part Number	Drawing Number	Ref Code	Min. Breaking Strength (kN)	A (mm)	B (mm)	C (mm)	D (mm)	F Ball (mm)
E93186-000	DK94222	42/44	190	217	75	20.5	65	24

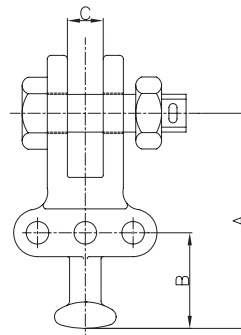
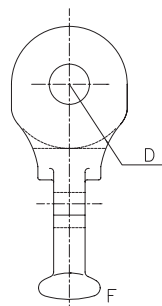
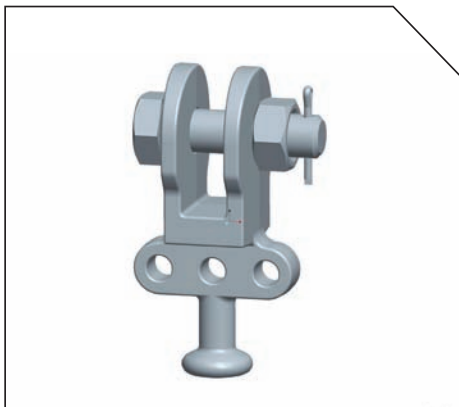


Material: Galvanized Forged Steel

TWISTED BALL CLEVIS FOR ARCING HORN

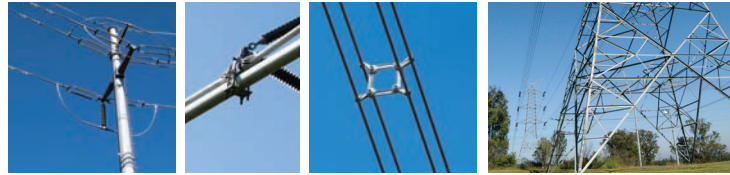
BRITISH STANDARD (BS)

Part Number	Drawing Number	Ref Code	Min. Breaking Strength (kN)	A (mm)	B (mm)	C (mm)	D (mm)	F Ball (mm)
729854-000	DK94351/02	67/25A	300	171	76	28.5	51	24



Material: Galvanized Forged Steel

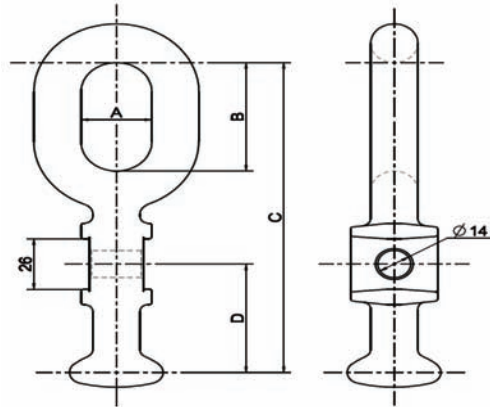
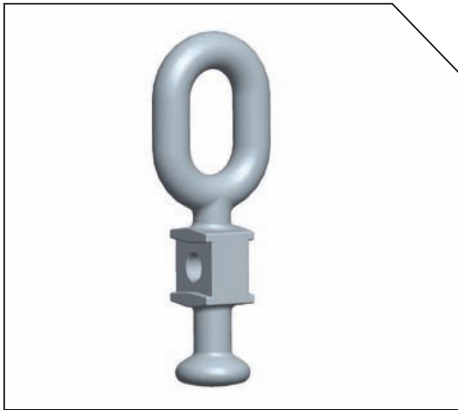
HARDWARE FITTINGS



TWISTED BALL EYE LINK FOR ARCING HORN

AMERICAN STANDARD (ANSI)

Part Number	Drawing Number	Ball Type	Min. Breaking Strength (kN)	A (mm)	B (mm)	C (mm)	D (mm)
352248-000	A4DD1088T	Ball 52-3 (Type B)	120	30	60	160	51

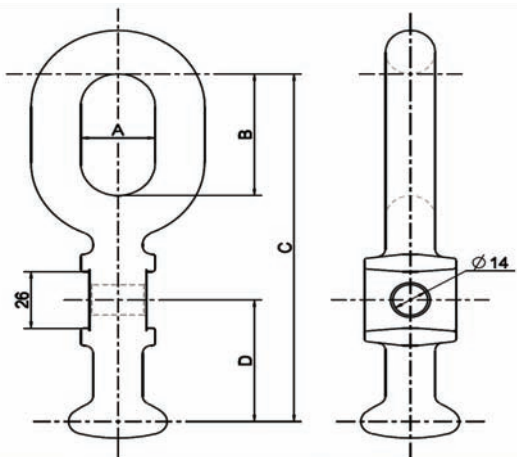
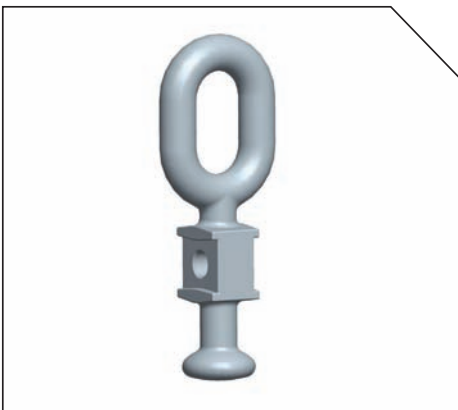


Material: Galvanized Forged Steel

TWISTED BALL EYE LINK FOR ARCING HORN

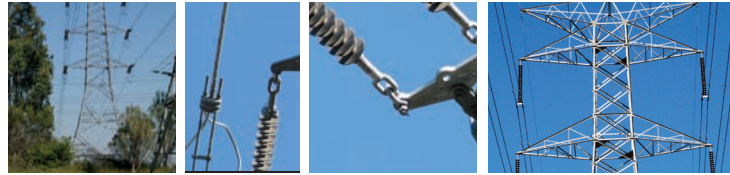
BRITISH & INTERNATIONAL STANDARD (BS & IEC)

Part Number	Drawing Number	Ball Type	Min. Breaking Strength (kN)	A (mm)	B (mm)	C (mm)	D (mm)
305376-000	A4DD18073T	16mm	120	30	60	160	51
893892-000	A4DD0154T	20mm	160	30	56	160	56



Material: Galvanized Forged Steel

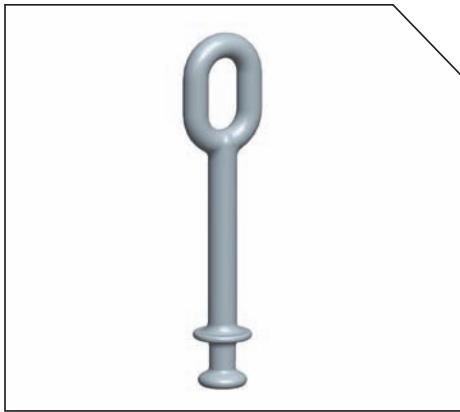
HARDWARE FITTINGS



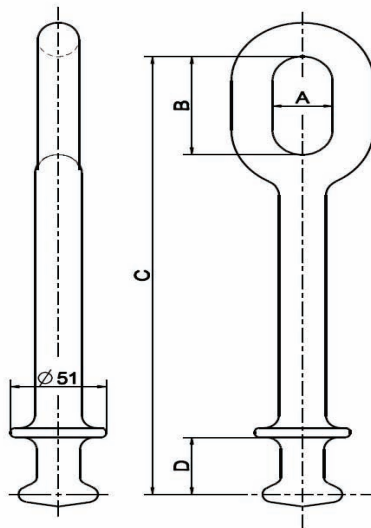
OVAL BALL EYE LINK

AMERICAN STANDARD (ANSI)

Part Number	Drawing Number	Ball Type	Min. Breaking Strength (kN)	A (mm)	B (mm)	C (mm)	D (mm)
A92773-000	A4DD07975T	Ball 52-8 (Type K)	165	32	64	285	37



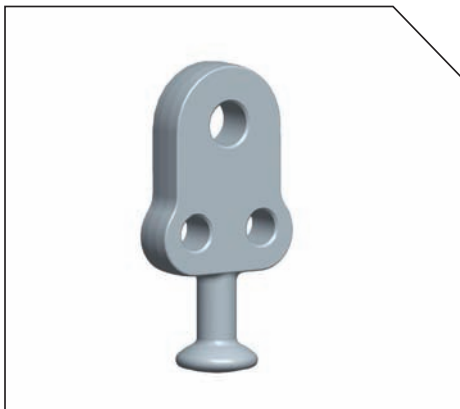
Material: Galvanized Forged Steel



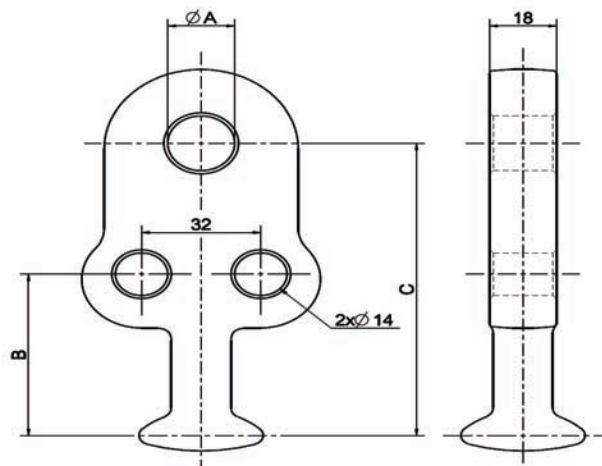
BALL TONGUE FOR ARCING HORN

AMERICAN STANDARD (ANSI)

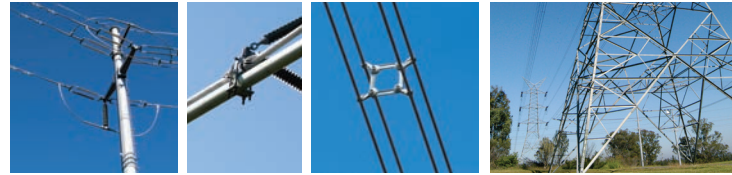
Part Number	Drawing Number	Ball Type	Min. Breaking Strength (kN)	A (mm)	B (mm)	C (mm)
934524-000	A4DD15727T	Ball 52-3 (Type B)	120	Ø18	53	96



Material: Galvanized Forged Steel



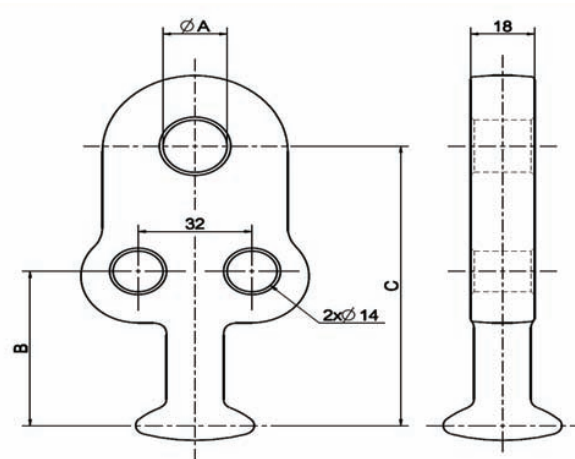
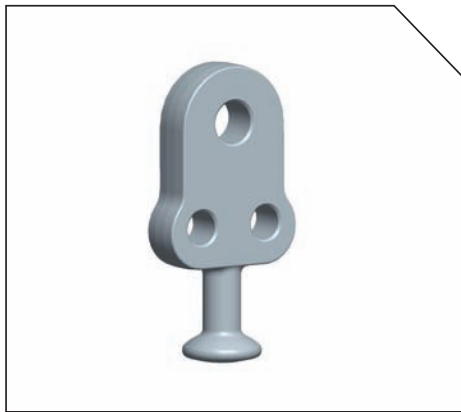
HARDWARE FITTINGS



BALL TONGUE FOR ARCING HORN (CONT.)

BRITISH & INTERNATIONAL STANDARD (BS & IEC)

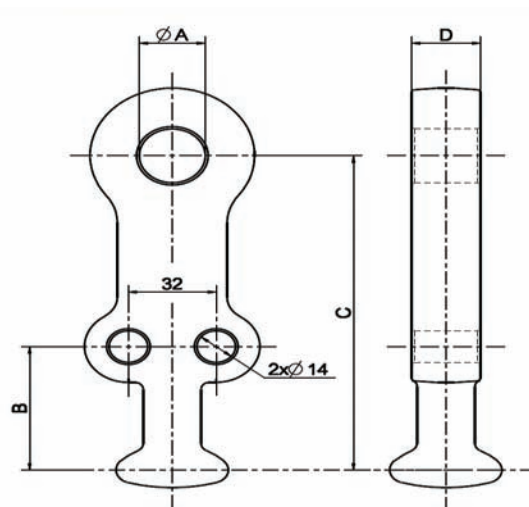
Part Number	Drawing Number	Ball Type	Min. Breaking Strength (kN)	A (mm)	B (mm)	C (mm)
E22038-000	A4DD15657T	16mm	120	Ø18	53	96



Material: Galvanized Forged Steel

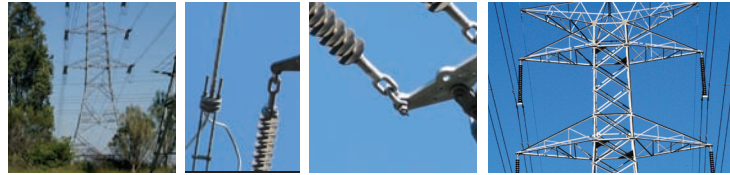
BRITISH & INTERNATIONAL STANDARD (BS & IEC)

Part Number	Drawing Number	Ball Type	Min. Breaking Strength (kN)	A (mm)	B (mm)	C (mm)	D (mm)
424032-000	A4DD07445T	20mm	230	Ø24	55	140	25
833094-000	A4DD07448T	24mm	320	Ø27	75	160	30



Material: Galvanized Forged Steel

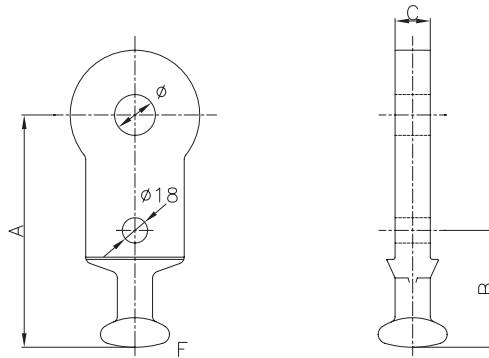
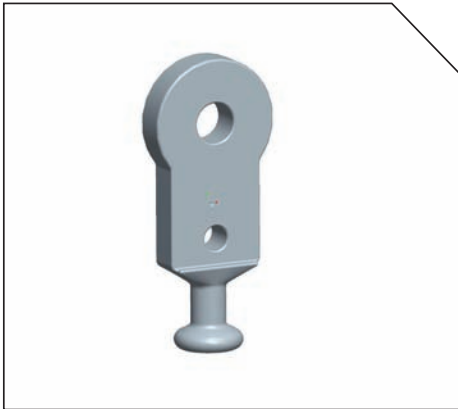
HARDWARE FITTINGS



BALL TONGUE FOR ARCING HORN (CONT).

BRITISH STANDARD (BS)

Part Number	Drawing Number	Ball Type	Min. Breaking Strength (kN)	A (mm)	B (mm)	C (mm)	Hole Dia. (mm)	F Ball (mm)
923034-000	DK94361	20mm	300	165	83	25	29	24

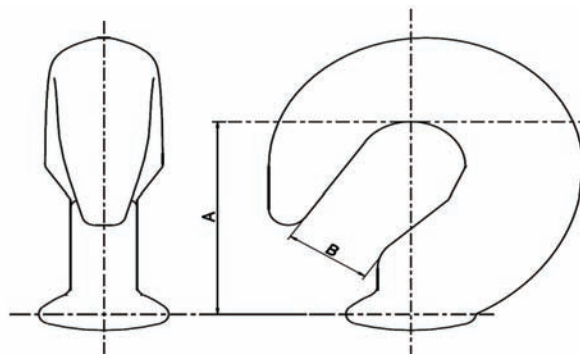


Material: Galvanized Forged Steel

SELF LOCK BALL HOOK

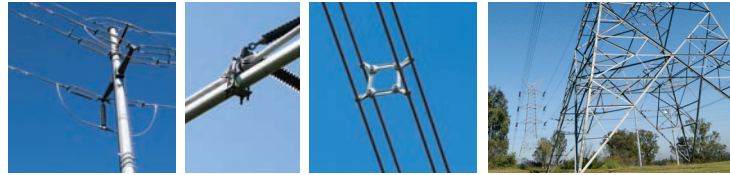
INTERNATIONAL STANDARD (IEC)

Part Number	Drawing Number	Ball Type	Min. Breaking Strength (kN)	A (mm)	B (mm)
CL1789-000	A4DD16261T	16mm	120	60	22



Material: Galvanized Forged Steel

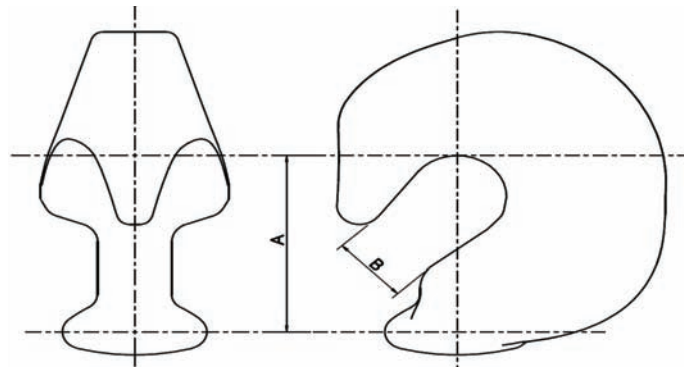
HARDWARE FITTINGS



SELF LOCK BALL HOOK (CONT.)

INTERNATIONAL STANDARD (IEC)

Part Number	Drawing Number	Ball Type	Min. Breaking Strength (kN)	A (mm)	B (mm)
E95784-000	A4DD16414T	20mm	200	60	22

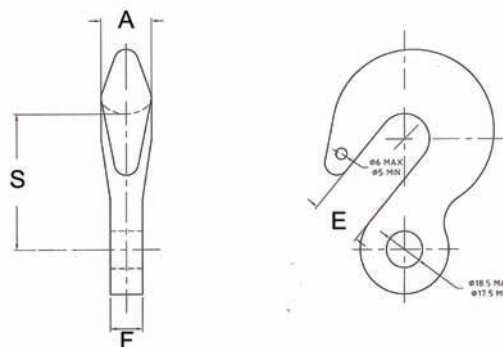


Material: Galvanized Forged Steel

TONGUE HOOK

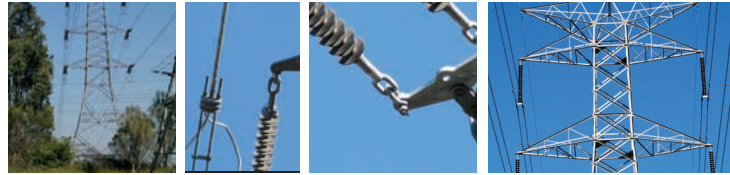
AUSTRALIAN STANDARDS (AS)

Part Number	Drawing Number	Ref Code	Min. Breaking Strength (kN)	A (mm)	S (mm)	E (mm)	F Ball (mm)
487958-000	TH70	PLP-TH70	70	23.5-26.5	63.6-70.4	23.5-26.5	14.5-17.5



Material: Galvanized Forged Steel

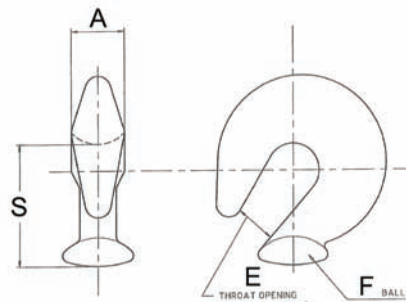
HARDWARE FITTINGS



BALL HOOK SHORT SHANK

AUSTRALIAN STANDARDS (AS)

Part Number	Drawing Number	Ref Code	Min. Breaking Strength (kN)	A (mm)	S (mm)	E (mm)	F Ball (mm)
280972-000	BHSS70	PLP-BHSS70	70	25	57	20.6	16

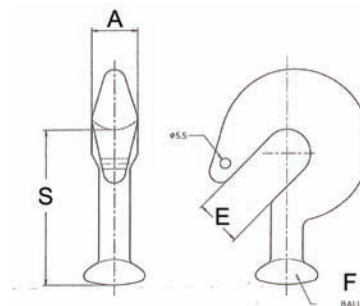


Material: Galvanized Forged Steel

BALL HOOK LONG SHANK

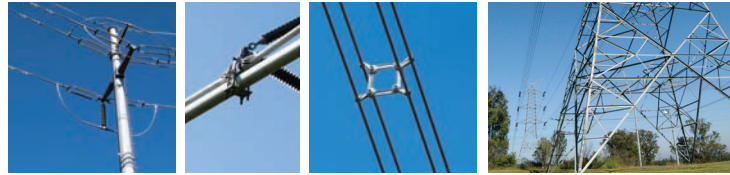
AUSTRALIAN STANDARDS (AS)

Part Number	Drawing Number	Ref Code	Min. Breaking Strength (kN)	A (mm)	S (mm)	E (mm)	F Ball (mm)
229456-000	BHL70	PLP-BHLS70	70	25	82	25	16



Material: Galvanized Forged Steel

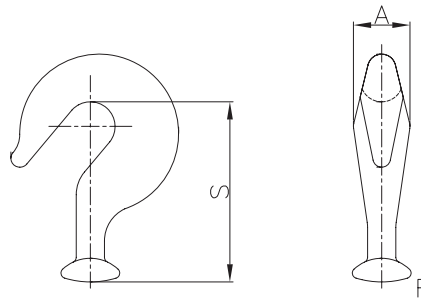
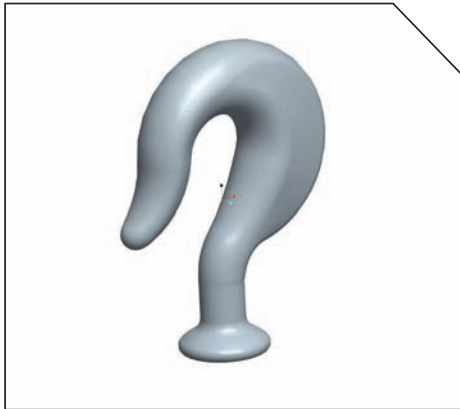
HARDWARE FITTINGS



BALL ENDED HOOK

BRITISH STANDARD (BS)

Part Number	Drawing Number	Ref Code	Min. Breaking Strength (kN)	A (mm)	S (mm)	F Ball (mm)
481668-000	DK94002	15/81	70	32	102	16

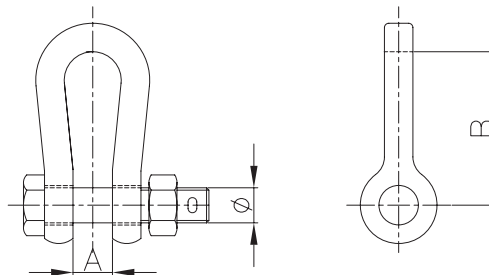
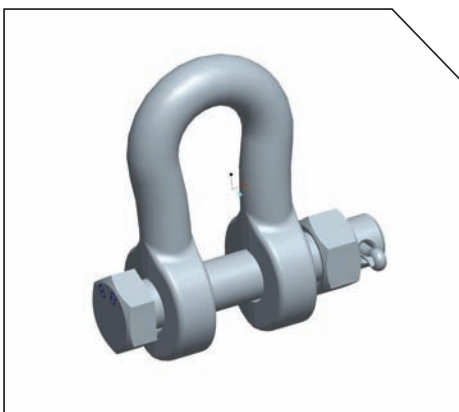


Material: Galvanized Forged Steel

SHACKLES

BRITISH STANDARD (BS)

Part Number	Drawing Number	Ref Code	Min. Breaking Strength (kN)	A (mm)	B (mm)	Bolt Size (mm)
323588-000	DK93022/02	15/33A	70	18 ⁺³ ₋₀	70	Ø16



Material: Galvanized Forged Steel